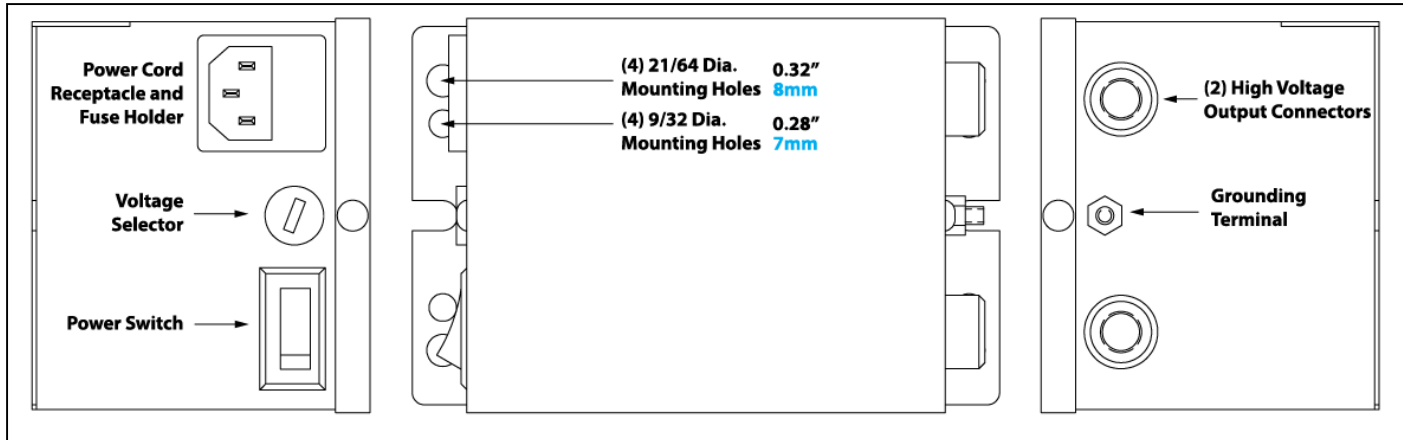


HIGH VOLTAGE GEN4 POWER SUPPLY INSTALLATION & MAINTENANCE

Model 7960 Gen4 Power Supply



SPECIFICATIONS

Model 7960:

Input Voltage: 115VAC / 230VAC

Input Current: .2 A / .1 A max.

Frequency: 50/60 Hz

Output Voltage: 5,000 V rms

Output Current: 5 mA max.

Max High Voltage Cable Length (total for both outputs): 100ft (30.48 meters)

The Gen4 Power Supply Should Not Be Used In An Explosive Or Flammable Area.

ELECTRICAL SUPPLY

The Model 7960 Gen4 Power Supply requires a 115V, 50/60Hz or 230V, 50/60Hz power source. **The voltage selector switch must be in correct position before turning the power on to the unit.** If the correct voltage is not selected, the fuse will blow when the power is turned on.

The Model 7960 comes with (2) 6' long removable power cords that use an IEC C13 connection to plug into the back of the power supply. One of the cords uses a NEMA 5 plug that must be plugged into a grounded outlet. If it is not grounded properly, the connected equipment will produce a shock and will not work properly. The other cord has a green or green with yellow trace ground wire, a bare shielding ground wire, a blue return wire and a brown live/hot wire. The shielding ground wire and green with yellow trace or green wire must be bonded together before installing into a plug to insure proper shielding is in place. Failure to do this may cause interference with other electrical appliances. Additional grounding can be obtained by attaching a ground wire between a grounded metal surface and the grounding terminal of the power supply.

MOUNTING

Mounting flanges are provided at the base of the power supply. The power supply can be bolted to the machine frame for uniform grounding. If grounding cannot be obtained through the machine, it is best to connect to earth ground through a grounding rod or copper cold water system.

HIGH VOLTAGE TERMINALS

Each power supply includes two high voltage outlets. With the power cord disconnected, connect the ionizer to the high voltage power supply terminal. Insert the stainless steel contact into the terminal cavity, then tighten the swivel hex fitting. Do not overtighten, but make sure the hex fitting is finger tight against the power supply terminal. This spring loaded connector grips the mating stainless steel terminal for a snug connection. When disconnecting an ionizer, it is important to first disconnect the power. Loosen the swivel hex fitting, and pull the swivel hex fitting away from the power supply with minimal force.

With the high voltage connections made, connect the power cord of the power supply to an appropriate source. To operate the power supply, there is a lighted "on/off" switch on the back of the power supply. The "on" light indicates power to the primary of the power supply. **Do not apply power until grounding and high voltage connections are complete.**

TROUBLESHOOTING AND MAINTENANCE

EXAIR Power Supplies have replaceable fuses and power switches. All other parts are completely potted inside the power supply box. There are no internal adjustments. There is no maintenance required.

If the static eliminator is not functioning properly, turn the power supply off and check that the high voltage and ground connections are secure. Check the ionizer to insure that the emitter point(s) are not contaminated with dirt or shorted. If this does not fix the problem, turn the power off and check to see if the fuse is blown. The fuse is located above the power cord receptacle on the back of the power supply. Make note of the fuse rating on the power supply label. A spare fuse is included in a small tray near the power input module.

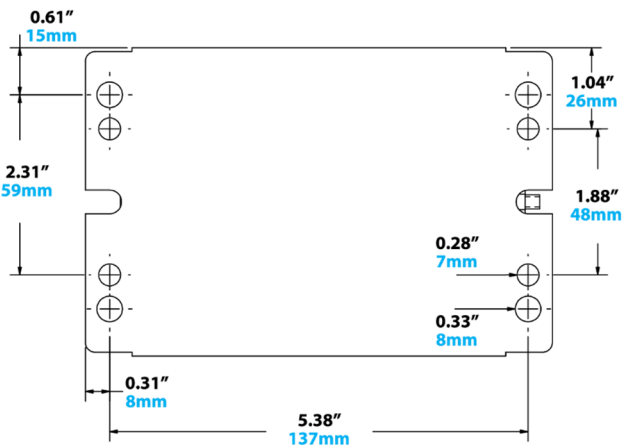
To check for ionization, use of a static meter (Model 7905) is required. Measure the static charge on the surface of some material. Pass the ionizer over the material. Measure the static charge on the material. If the charge is lower than the original measurement, the ionizer and power supply are working. If there is no change, contact the factory.

It is recommended that only qualified service personnel perform tests on this high voltage power supply or hazardous shock could result.

See right for the Mounting Diagram for the Model 7960 Gen4 Power Supply. (Not to scale)

If there are further questions regarding the operation of the power supply or static eliminator equipment or if you have any questions or problems, please contact an EXAIR Application Engineer at:

Toll Free: 1-800-903-9247 (U.S. & Canada)
 Telephone: 513 671-3322 outside of U.S. & Canada
 Toll Free Fax: 866-329-3924 (U.S. & Canada)
 FAX: 513 671-3363 outside of U.S. & Canada
 E-mail: techhelp@exair.com
 Website: www.exair.com



For more information about this product, visit "Frequently Asked Questions" at www.exair.com
FAQ at www.EXAIR.com



EXAIR Model 7960 Gen4 Power Supply is UL Component Recognized to U.S. and Canadian safety standards and meet the requirements of applicable European Directive(s).