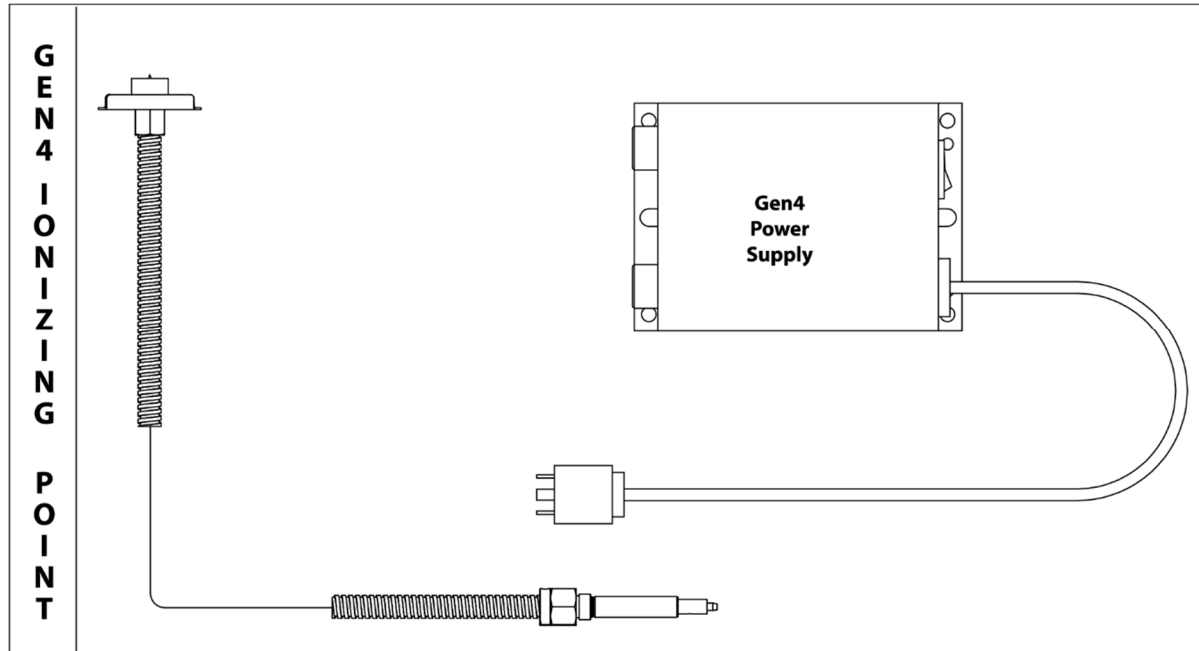


## GEN4 IONIZING POINT™ INSTALLATION & MAINTENANCE



### USING THE GEN4 IONIZING POINT

The compact Gen4 Ionizing Point should be used at a location after the material has received its static charge. This shockless ionizer delivers a high concentration of positive and negative ions for fast static decay within 2" (51mm) of any surface.

Screw the bayonet connector of the high voltage power cable into the power supply. Make sure the hex swivel fitting is fully seated against the power supply terminal. Upon installation, the ionizer cable should be isolated from grounded metal surfaces by using non-conductive stand-offs/wire ties by at least 1" of air gap. Alternatively, the ionizer cable can be shielded in plastic conduit with dielectric strength equivalent to at least 1" of air (approximately 75kV/inch).

The Gen4 Ionizing Point can be mounted through a duct to neutralize static charges due to moving air or materials. This requires a .69" (17mm) diameter hole for the emitter point housing and two .201" (5mm) holes for mounting hardware. Be sure to make all other connections before turning the power supply on.

The Gen4 Ionizing Point is shockless and may be touched without injury.

### The Gen4 Ionizing Point And Gen4 Power Supply Should Not Be Used In An Explosive Or Flammable Area.

### ELECTRICAL SUPPLY

The Model 7960 Power Supply (two outlet) and Model 7961 Power Supply (four outlet) require a 115V or 230V, 50/60Hz source. For proper operation, the Gen4 Ionizing Point and Gen4 Power Supply must be properly grounded. If the unit is not grounded, the Gen4 Ionizing Point will produce a shock and will not function properly. The hex swivel fitting on the Ion Point must be fully seated against the power supply terminal.

**Electrical Hazard:** Shockless (less than 40 microamperes short circuited). **Do not use near flammable materials or gases.**

## CLEANING

The best method to determine how well the Gen4 Ionizing Point is working is with the Model 7905 Static Meter. The static meter is easy to use and will accurately display the charge on a surface without touching it. To do this, simply measure the charge on the surface before ionizing (power supply off). Then, ionize the surface (power supply on). Measure the surface again. A “zero” volt reading indicates that the Gen4 Ionizing Point is working properly. If a charge is still present, this may indicate the need for cleaning.

Accumulation of light dust or dirt on the surface of the ionizing point will degrade the effectiveness of the ionizer. A simple cleaning operation added to your planned maintenance schedule can eliminate this potential performance problem. The frequency of cleaning required will depend upon the environment in which the ionizer is installed. Dirty industrial environments may require daily cleaning, while clean-room applications may require only monthly cleaning. It is important to evaluate the cleaning needs of each individual ionizer installation.

A dull or dirty emitter point will eventually cease to operate. The ionizing point can be cleaned with a small brush. Replacement emitter points are available.

### Never Clean An Ionizer With The Power On!

Periodic cleaning will keep the ionizer operating at peak performance for the life of the unit.

## GEN4 IONIZING POINT PERFORMANCE

	Distance from Charged Surface		
	0.5" (13mm)	1" (25mm)	2" (51mm)
Dissipates 5kV (seconds)	0.12	0.18	0.24



EXAIR Gen4 Ionizing Point and Gen4 Power Supply are UL Component Recognized to U.S. and Canadian safety standards and meet the requirements of applicable European Directive(s).



## MATERIALS OF CONSTRUCTION:

Metal Parts: Stainless Steel

Plastic Parts: UL rated 94 HB

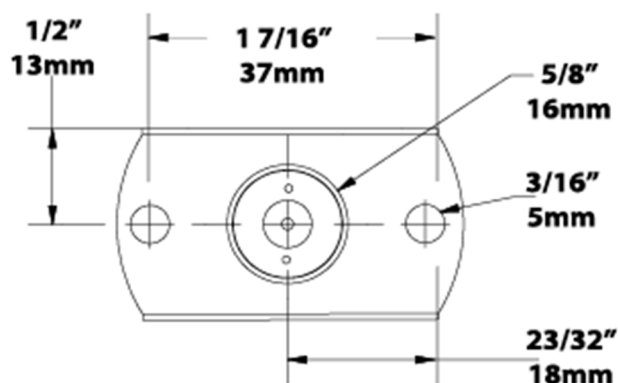
Emitter: Stainless Steel

## There are no user serviceable parts.



If you have any questions or problems, please contact an EXAIR Application Engineer at:

Toll Free: 1-800-903-9247 (U.S. & Canada)  
 Telephone: 513 671-3322 outside of U.S. & Canada  
 Toll Free Fax: 866-329-3924 (U.S. & Canada)  
 FAX: 513 671-3363 outside of U.S. & Canada  
 E-mail: [techelp@exair.com](mailto:techelp@exair.com)  
 Website: [www.exair.com](http://www.exair.com)



For more information about this product, visit "Frequently Asked Questions" at [www.exair.com](http://www.exair.com)  
**FAQ at [www.EXAIR.com](http://www.EXAIR.com)**